



Model HW Rotaspikes

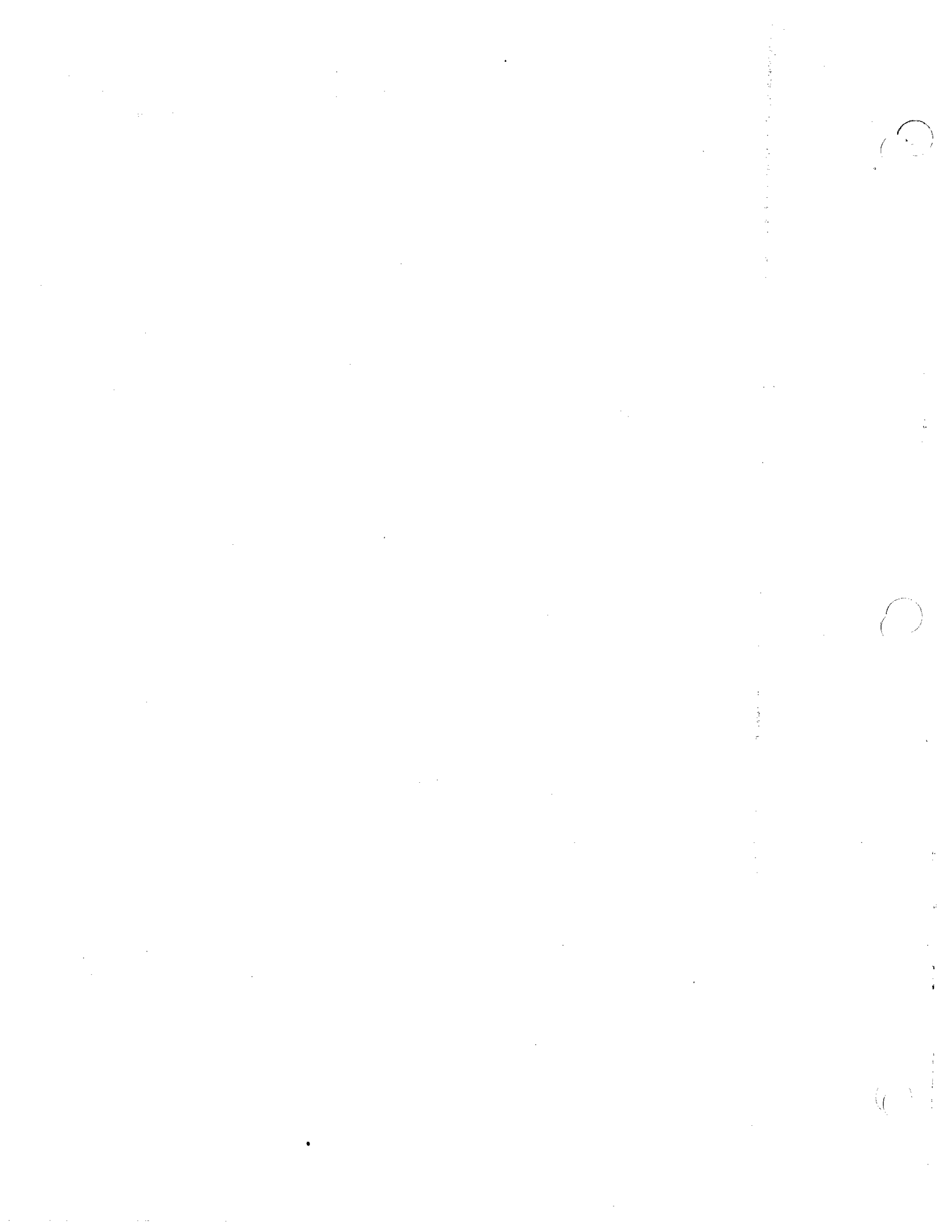
ILLUSTRATION AND PARTS LIST

MODEL _____ HW _____

SERIAL NO. _____

TILLAGE WIDTH _____

When ordering parts: Quote part number, model and tillage width.
Serial number is located on main frame directly behind gearbox.



MODEL HW ROTASPIKE

ILLUSTRATION & PARTS LIST

When ordering parts: Quote part number, model and tillage width.
Serial number is located on main frame directly behind gearbox.
Left- and right-hand parts are determined by standing behind machine
and looking forward toward tractor.

TABLE OF CONTENTS

SAFETY PRECAUTIONS	2
SAFETY & INSTRUCTIONAL DECALS	3
UNIVERSAL DRIVE JOINT & CLUTCH ASSEMBLY . . .	4-5
GEARBOX ASSEMBLY	6-7
TRANSMISSION	8-9
MAIN FRAME ASSEMBLY	10-11
MAIN FRAME END PANEL	12-13
TRAILING SHIELD & DAMPER	14-15
CRUMBLE ROLLER ASSEMBLY	16-17
SAFETY GUARDS	18-19
NUMERICAL PARTS LIST	20

SAFETY PRECAUTIONS



THIS SYMBOL IS USED TO CALL YOUR ATTENTION TO SAFETY PRECAUTIONS THAT SHOULD BE FOLLOWED BY THE OPERATOR TO AVOID ACCIDENTS. WHEN YOU SEE THIS SYMBOL, HEED ITS WARNING.

The following precautions should be observed AT ALL TIMES. They apply whenever greasing, cleaning, repairing, adjusting or operating the machine, or whenever removing components from shipping materials.



CAUTION: STAND TO THE SIDE AND DO NOT LEAN OVER BANDS WHEN CUTTING THEM. SUDDEN RELEASE OF TENSION CAN CREATE A SPRING-BACK ACTION WHICH COULD CAUSE SEVERE INJURY.



CAUTION: ALWAYS BLOCK MACHINE WHEN IN A RAISED POSITION. NEVER RELY ON TRACTOR HYDRAULICS.



CAUTION: NEVER MAKE ADJUSTMENTS WITH TRACTOR ENGINE RUNNING.



CAUTION: SWITCH OFF TRACTOR ENGINE BEFORE TOUCHING MACHINE.



CAUTION: DO NOT OPERATE MACHINE WITHOUT ALL SAFETY COVERS IN PLACE.



CAUTION: NEVER OPERATE U-JOINT AT AN ANGLE GREATER THAN 35° OR VIBRATION AND DAMAGE COULD RESULT.

SAFETY & INSTRUCTIONAL DECALS



CAUTION: These decals are placed at strategic positions on the machine to provide the operator with a constant reminder of safe operating practices. "DANGER" means there is the possibility of severe injury if instructions are not followed. If decals become damaged or lost, replace them immediately. They may be obtained from your dealer.



WARNING

1. For your own safety, and that of others, read and understand the "Operator's Manual" before attempting to operate this machine. (If manual is not available, contact your local Howard dealer.)
2. All shields including power take off shields must be kept in place.
3. Disengage power take off and stop engine before adjusting, lubricating, cleaning, or unclogging machine.
4. Wait for all movement to stop before servicing the machine.
5. Keep hands, feet, and clothing away from power driven parts.
6. Keep off of machine and keep all others off.
7. Make certain everyone is clear of machine before starting engine or operation.

7 Point Warning Decal - 601708



DANGER

Do not touch spikes when engine is running!

Spike DANGER Decal - 603096

IMPORTANT

**FILL CHAIN CASE
TO CORRECT OIL
LEVEL BEFORE USING**

603092

Fill Chain Case Decal - 603092

**IMPORTANT
FILL GEARBOX TO
CORRECT OIL LEVEL
BEFORE USING**

Fill Gearbox Decal - 600204

IMPORTANT

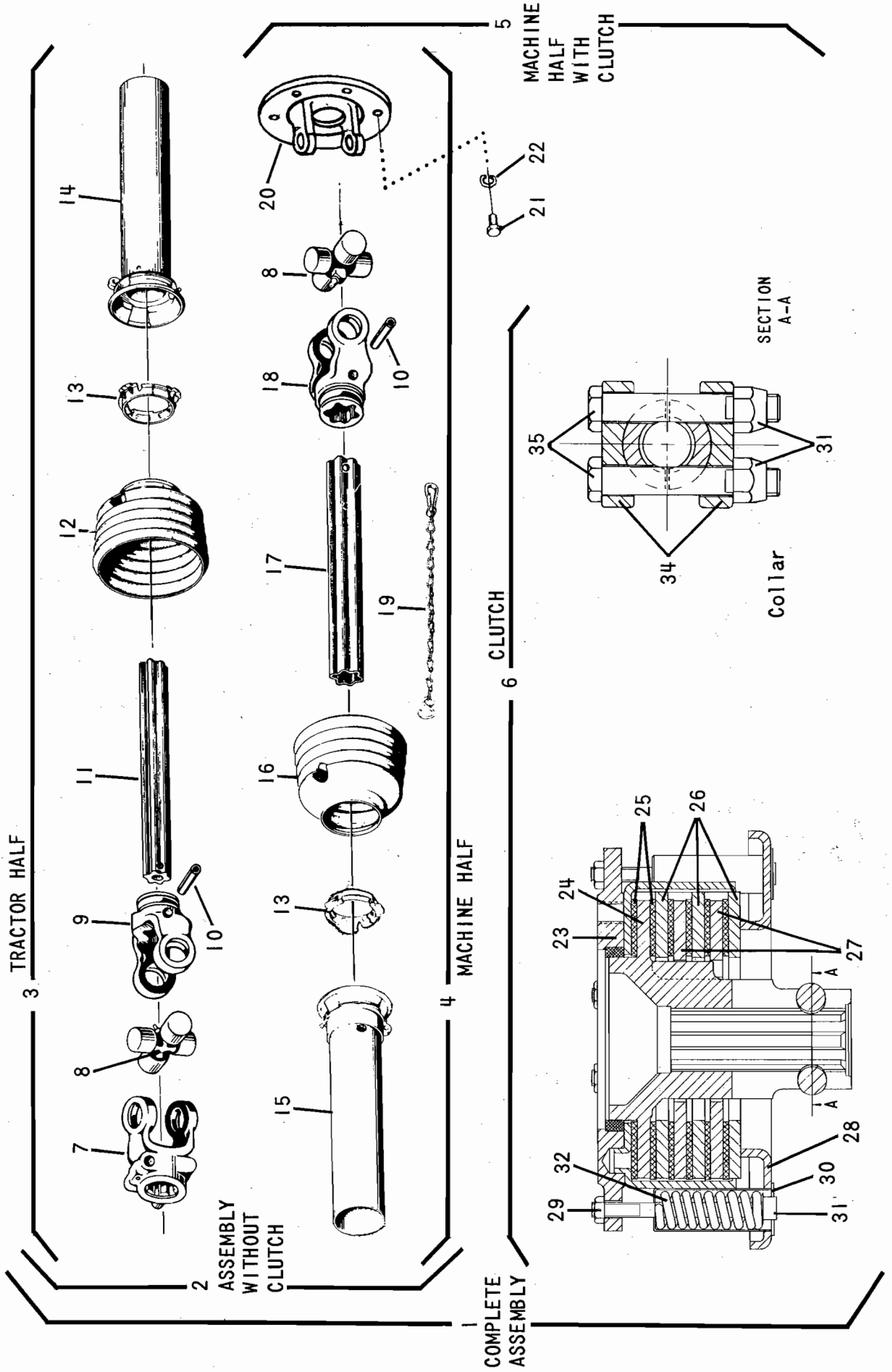
**TRACTOR LIFT LINKAGE OR HY-
DRAULIC LIFT LIMIT STOPS MUST BE
ADJUSTED TO PREVENT DAMAGE TO
UNIVERSAL JOINT FROM EXCESSIVE
ANGLE WHEN IMPLEMENT IS FULLY
LIFTED WITH P.T.O. ENGAGED.**

603091

Tractor Linkage Decal - 603091

UNIVERSAL DRIVE JOINT & CLUTCH ASSEMBLY

ILLUSTRATION A



UNIVERSAL DRIVE JOINT & CLUTCH ASSEMBLY

PARTS LIST A

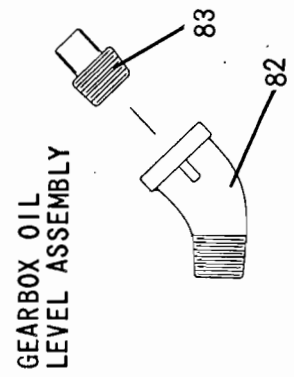
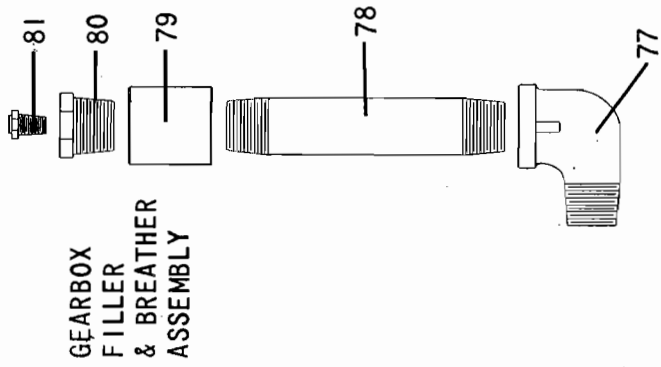
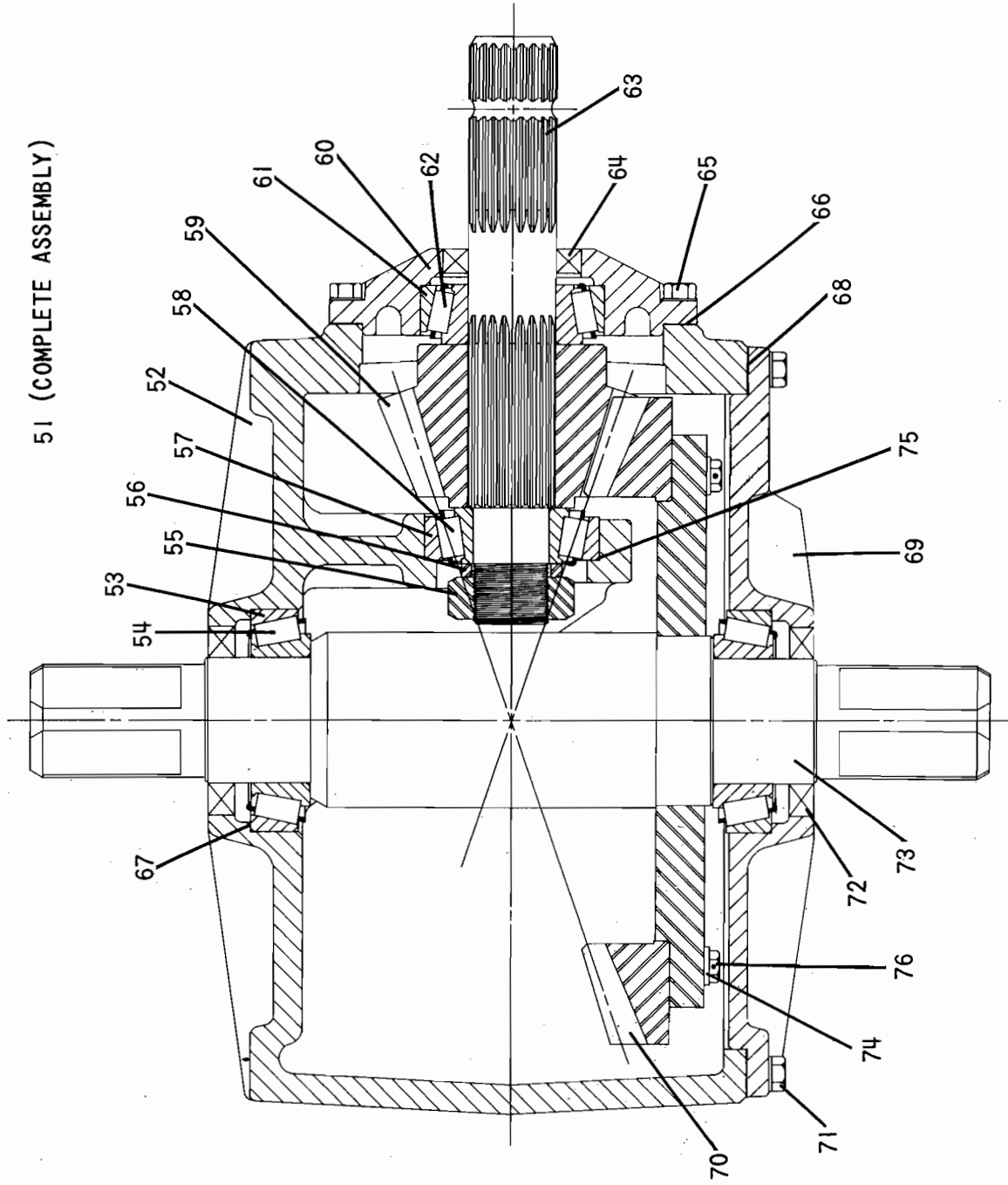
ILL. NO.	PART NO.	DESCRIPTION	QTY.
1	602807	U.J. Drive Assy. c/w clutch, shields and 1-3/4", 20-spline tractor yoke	1
1	602808	U.J. Drive Assy. c/w clutch, shields and 1-3/8", 21-spline tractor yoke	1
2	603116	U.J. Drive Assy. (without clutch) c/w shields & 1-3/4", 20-spline tractor yoke	1
2	603117	U.J. Drive Assy. (without clutch) c/w shields & 1-3/8", 21-spline tractor yoke	1
3	602997	U.J. Drive Tractor Half c/w 1-3/4", 20-spline yoke	1
3	602998	U.J. Drive Tractor Half c/w 1-3/8", 21-spline yoke	1
4	602999	U.J. Drive Machine Half (without clutch)	1
5	603115	U.J. Drive Machine Half c/w clutch	1
6	603014	Friction Clutch Assy.	1
7	603028	Yoke, 1-3/4", 20-spline	1
7	603029	Yoke, 1-3/8", 21-spline	1
8	603030	Cross and Bearing Kit	2
9	603031	Male Shaft Yoke	1
10	603032	Tension Roll Pin (10mm Dia. x 85mm)	2
11	603033	Male Shaft	1
12	603034	Ribbed Shield Cone (Tractor Half)	1
13	603035	Bearing Ring and Retainer	2
14	603036	Outer Shield Tube	1
15	603037	Inner Shield Tube	1
16	603038	Ribbed Shield Cone (Machine Half)	1
17	603039	Female Shaft Tube	1

ILL. NO.	PART NO.	DESCRIPTION	QTY.
18	603040	Female Shaft Yoke	1
19	603041	Shield Retainer Chain	1
20	603042	Flange Yoke	1
21	301212250	Hex Hd. Bolt, M12 x 25, Gr. 8.8	6
22	308120040	Spring Washer, M12	6
23	603015	Clutch Housing	1
24	603016	Hub, 1-3/4", 20-spline	1
25	603017	Clutch Lining	6
26	603018	Thrust Plate	3
27	603019	Disc	2
28	603020	Flange Plate	1
29	307208050	Nyloc Hex Nut, M8	8
30	603021	Spring Retainer	8
31	351208900	Socket Hd. Capscrew, M8x90, Gr. 8.8	8
32	603022	Spring	8
33	307216050	Nyloc Hex Nut, M16	2
34	603024	Clamp Collar	2
35	301616115	Hex Hd. Bolt, M16x110, Pl., Gr. 8.8	2
36 thru 50		Not Allocated	

Quote part number and machine serial number when ordering parts.

GEARBOX ASSEMBLY

ILLUSTRATION B



GEARBOX ASSEMBLY

PARTS LIST B

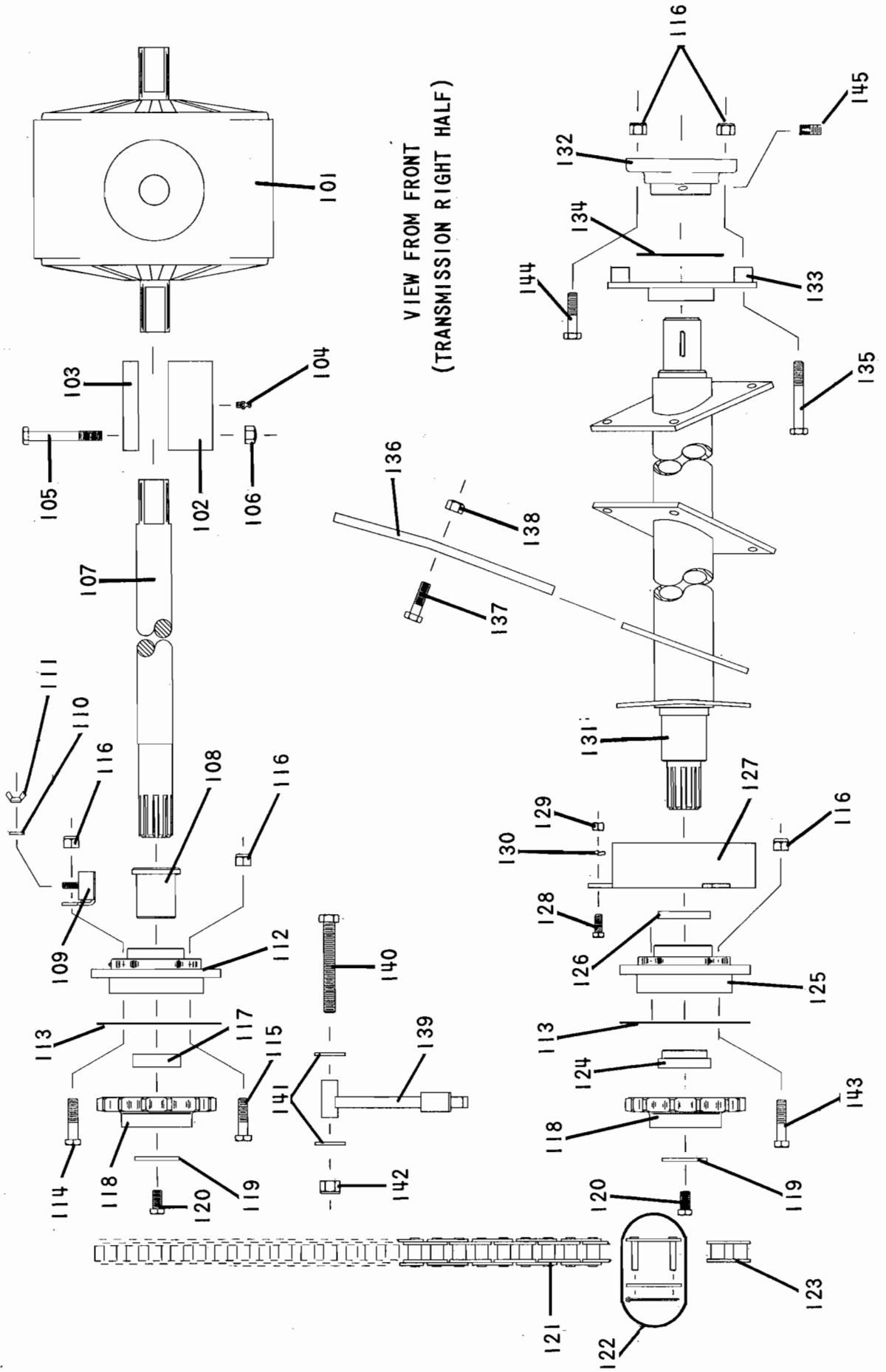
ILL. NO.	PART NO.	DESCRIPTION	QTY.
51	602804	Gearbox Assembly Complete	1
52	603051	Gearbox Housing	1
53	603052	Timken Bearing Cup, #39520	2
54	603053	Timken Bearing Cone, #39590	2
55	603054	Locknut, Jam-Type, 1-1/2" UNF	1
56	603055	Flat Washer, 1/4" Thick, 1.562" I.D. x 2.00" O.D., Pl.	1
57	603056	Timken Bearing Cup, #414	1
58	603057	Timken Bearing Cone, #415	1
59	603058	Pinion Gear, 13T	1
60	603059	Input Shaft Cover	1
61	603060	Timken Bearing Cup, #3720	1
62	603061	Timken Bearing Cone, #3782	1
63	603062	Pinion Shaft	1
64	603063	Double Lip Seal (1.7485" I.D. x 2.75" O.D.)	1
65	134206100	Whiz Lock Capscrew, 3/8" UNC x 1.187"	8
66	603065	Input Shaft Cover Gasket (.015" Thick)	As Req'd.
	603066	Input Shaft Cover Gasket (.005" Thick)	As Req'd.
	603067	Input Shaft Cover Gasket (.003" Thick)	As Req'd.
67	603068	Output Shaft Shim (.010" Thick, 3-7/8" I.D. x 4-3/8" O.D.)	As Req'd.
68	603069	Gearbox Side Cover Gasket (.015" Thick)	As Req'd.
	603070	Gearbox Side Cover Gasket (.003" Thick)	As Req'd.
	603071	Gearbox Side Cover Gasket (.005" Thick)	As Req'd.
	603072	Gearbox Side Cover	1
	603073	Ring Gear, 38T	1
	134207100	Whiz Lock Capscrew, 7/16" UNC x 1.187"	10
	603074	Double Lip Seal (2.498" I.D. x 3.75" O.D.)	2
	603075	Output Shaft Assembly	1
	108061145	Lock Washer, 3/8" Dia., Med.	8
	603076	Input Shaft Shim (.010" Thick, 2-7/8" I.D. x 3-7/16" O.D.)	As Req'd.
	603077	Hex Ring Gear Bolt, 3/8" UNF x 1.25"	8
	603064	Stainless Steel Safety Wire (.051" Dia. 12" Long)	4
	603043	90° Street Elbow, 3/4" NPT	1
	603044	Extension Pipe, 3/4" NPT x 5"	1
	603045	Coupler, 3/4" NPT	1
	603046	Reducer, 3/4" NPT x 1/8" NPT	1
	603047	Breather	1
	603048	45° Street Elbow, 3/4" NPT	1
	603049	Pipe Plug, 3/4" NPT, Square Hd.	2
	84 thru 100	Not Allocated	

NI - Not Illustrated.

Quote part number and machine serial number when ordering parts.

TRANSMISSION

ILLUSTRATION C



VIEW FROM FRONT
(TRANSMISSION RIGHT HALF)

TRANSMISSION

PARTS LIST C

ILL. NO.	PART NO.	DESCRIPTION	QTY.	ILL. NO.	PART NO.	DESCRIPTION	QTY.
101	602804	Gearbox	1	129	107208355	Hex Nut, 1/2" UNC, Pl.	6
102	602894	Coupling Channel	2	130	108081445	Lock Washer, 1/2" Dia., Med., Pl.	6
103	602895	Coupling Cap	2	131	602820	Rotor, R.H. 180" Model	1
104	603080	Grease Fitting, 1/8" NPT	2		603130	Rotor, R.H. 160" Model	1
105	150110400	Hex Hd. Bolt, 5/8" UNF x 5", Gr. 8	12		603129	Rotor, R.H. 144" Model	1
106	107110330	Crown Locknut, 5/8" UNF, Gr. 8	12	NI	602819	Rotor, L.H. 180" Model	1
107	602891	Jackshaft 180" Model	2		603139	Rotor, L.H. 160" Model	1
	603162	Jackshaft 160" Model	2		603138	Rotor, L.H. 144" Model	1
	603161	Jackshaft 144" Model	2	132	602899	Center Rotor Bearing (Fl. Type 2-1/2" Bore)	2
108	602889	Jackshaft Bearing Sleeve	2	133	602842	Bearing Guard	2
109	602814	Jackshaft Cover Bracket	2	134	603083	Bearing Guard Gasket	2
110	108061215	Flat Washer, 3/8" Dia., Pl.	4	135	101210445	Hex Hd. Bolt, 5/8" UNC x 5-1/2", Pl., Gr. 5	2
111	603079	Nyloc Wing Nut, 3/8" UNC	4	136	602888	Spike 180" Model	72
112	602900	Jackshaft Bearing (Fl. Type, 2-11/16" Bore)	2			Spike 160" Model	64
113	602887	Bearing Gasket	4			144" Model	56
114	101210225	Hex Hd. Bolt, 5/8" UNC x 2-3/4", Pl., Gr. 5	4	137	150110180	Hex Hd. Bolt, 5/8" UNF x 180" Model	72
115	101210205	Hex Hd. Bolt, 5/8" UNC x 2-1/2", Pl., Gr. 5	4			2-1/4", Gr. 8	64
116	107210175	Nyloc Hex Nut, 5/8" UNC, Pl.	20			Crown Locknut, 5/8" UNF, Gr. 8	56
117	602890	Jackshaft Spacer	2	138	107110330	Crown Locknut, 5/8" UNF, Gr. 8	72
118	602902	Sprocket, 15T	4			Chain Tensioner, R. H.	64
119	602897	Sprocket Retainer	4			Chain Tensioner, L. H.	56
120	208063170	Hex Hd. Bolt, 5/8" UNF x 1-1/4"	5	139	602816	Chain Tensioner, R. H.	1
		Patchlock, Gr. 5		NI	602815	Chain Tensioner, L. H.	1
121	602898	Drive Chain, #120, 46-pitch (includes part Ill. #122)	2	140	603084	Hex Hd. Bolt, 3/4" UNC x 4-1/2", Gr. 5, Full Thread	2
122	603081	Connector Link Kit, #120 chain*	As Req'd	141	108122415	Flat Washer, 3/4" Dia., Pl.	4
123	603082	Inner Link, #120 chain	As Req'd	142	107212175	Nyloc Hex Nut, 3/4" UNC, Pl.	2
124	602892	Rotor Drive Spacer	2	143	101210205	Hex Hd. Bolt, 5/8" UNC x 2-1/2", Pl., Gr. 5	8
125	602901	Rotor Drive Bearing (Fl. Type, 3" Bore)	2	144	101210225	Hex Hd. Bolt, 5/8" UNC x 2-3/4", Pl., Gr. 5	2
126	602893	Spacer	2	145	603103	3/8" UNF x 1/2" Half Dog Point Set Screw	2
NI	602817	Trash Ring, L.H.	1			Not Allocated	
127	602818	Trash Ring, R.H.	1	146 thru 160			
128	101208105	Hex Hd. Bolt, 1/2" UNC x 1-1/4" Pl., Gr. 5	6				

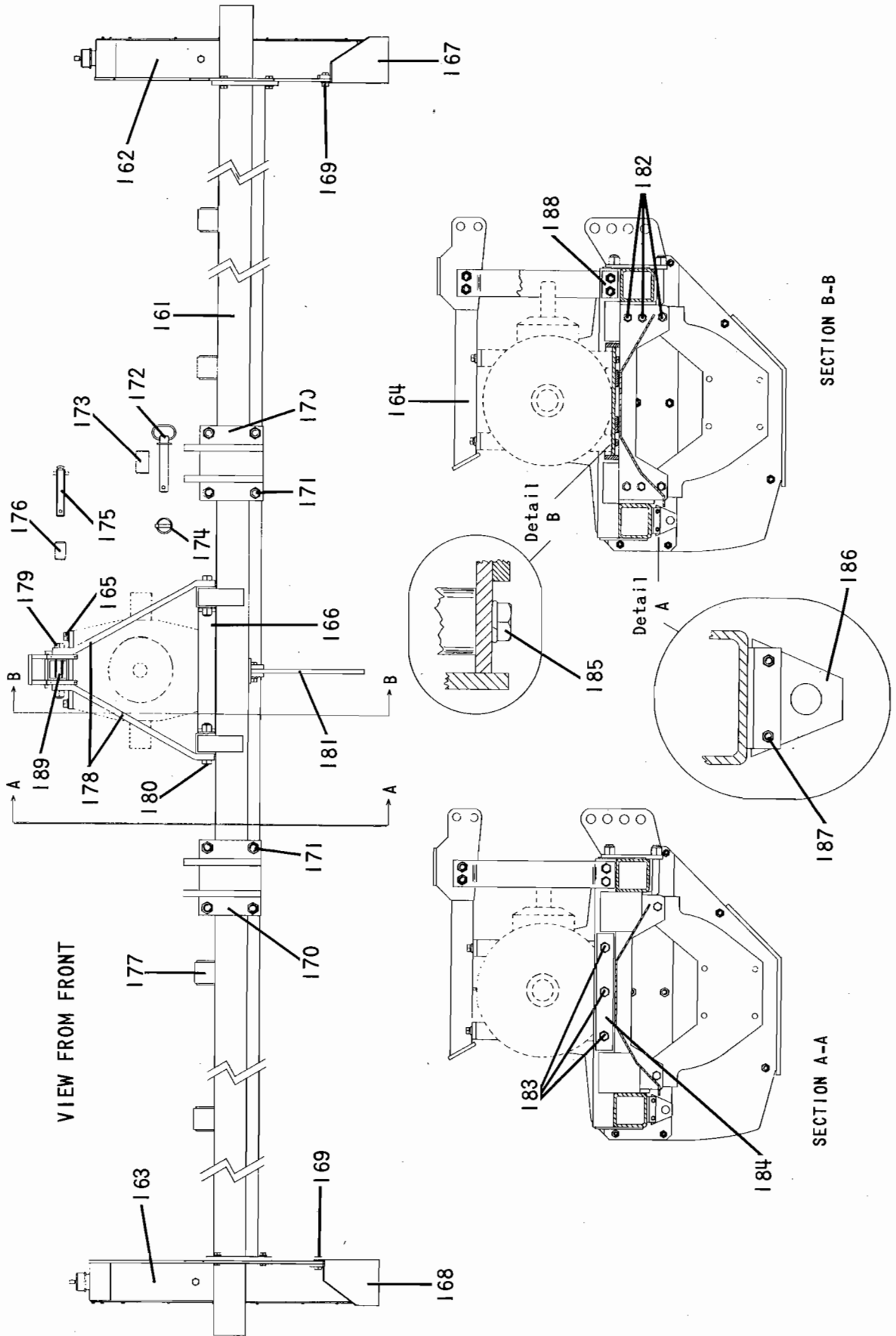
*Special #120 Chain Connector Kit must be used. Kit includes hardened cotter key.

NI - Not Illustrated

Quote part number and machine serial number when ordering parts.

MAIN FRAME ASSEMBLY

ILLUSTRATION D



MAIN FRAME ASSEMBLY

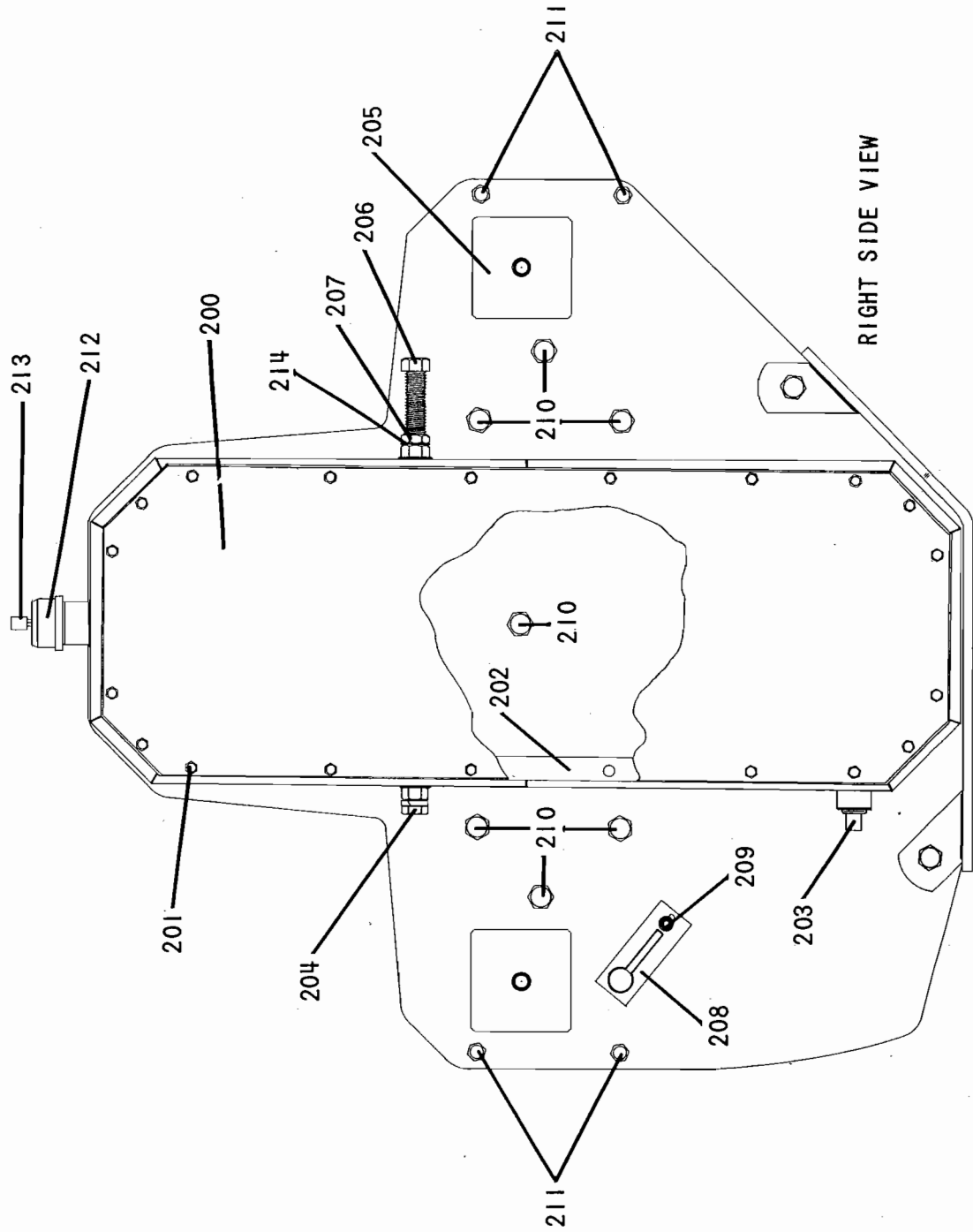
PARTS LIST D

ILL. NO.	PART NO.	DESCRIPTION	QTY.	ILL. NO.	PART NO.	DESCRIPTION	QTY.
161	602821	Main Frame 180" Model	1	177	602949	Tube Cap (Small, Plastic)	8
	603133	Main Frame 160" Model	1	178	602944	Top Mast Stay	2
	603132	Main Frame 144" Model	1	179	101212525	Hex. Hd. Bolt, 3/4" UNC x 6-1/2", Pl., Gr. 5	2
162	602824	End Panel, L.H.	1	108122415	Flat Washer, 3/4" Dia., Pl.		4
163	602825	End Panel, R.H.	1	107212175	Nyloc Hex Nut, 3/4" UNC, Pl.		2
164	602826	Topmast	1	101212365	Hex Hd. Bolt, 3/4" UNC x 4-1/2", Pl., Gr. 5		4
165	101212145	Hex Hd. Bolt, 3/4" UNC x 1-3/4", Pl., Gr. 5	4	108122415	Flat Washer, 3/4" Dia., Pl.		4
	108122045	Lock Washer, 3/4" Dia., Pl.	4	107212175	Nyloc Hex Nut, 3/4" UNC, Pl.		4
	108122415	Flat Washer, 3/4" Dia., Pl.	4	602947	Center Bearing Hanger		1
166	602827	Gearbox Carrier	1	101210205	Hex Hd. Bolt, 5/8" UNC x 2-1/2", Pl., Gr. 5		6
167	602828	Ground Skid, L.H.	1	107210175	Nyloc Hex Nut, 5/8" UNC, Pl.		6
168	602829	Ground Skid, R.H.	1	101212325	Hex Hd. Bolt, 3/4" UNC x 4" Pl., Gr. 5		6
169	101210145	Hex Hd. Bolt, 5/8" UNC x 1-3/4", Pl., Gr. 5	4	107212175	Nyloc Hex Nut, 3/4" UNC, Pl.		6
	108101645	Lock Washer, 5/8" Dia., Pl.	4	602945	Clamping Strip (Long)		2
	107210355	Hex Nut, 5/8" UNC, Pl.	4	101212145	Hex Hd. Bolt, 3/4" UNC x 1-3/4", Pl., Gr. 5		4
170	602810	Hitch Lug	2	108122045	Lock Washer, 3/4" Dia., Pl.		4
171	600052	U-Bolt, Sq. Corner, 7/8" UNC, Pl., 4" x 5-1/2"	4	602948	Pivot Lug		3
	107214175	Nyloc Hex Nut, 7/8" UNC, Pl.	8	150205105	Hex Hd. Bolt, 5/16" UNC x 1-1/4", Pl., Gr. 8		6
172	600022	Hitch Pin, Lower Link	2	107205155	Hex Locknut, 5/16" UNC, Pl.		6
173	600049	Bushing (Cat. II to Cat. III Lower Link Converter)	2	602946	Clamping Strip (Short)		2
174	600099	Quik Pin	3	603088	Top Link Spacer		2
175	600097	Hitch Pin, Top Link	1	190 thru 199	Not Allocated		2
176	600050	Bushing (Cat. II to Cat. III Top Link Converter)	1				

Quote part number and machine serial number when ordering parts.

MAIN FRAME END PANEL

ILLUSTRATION E



MAIN FRAME END PANEL

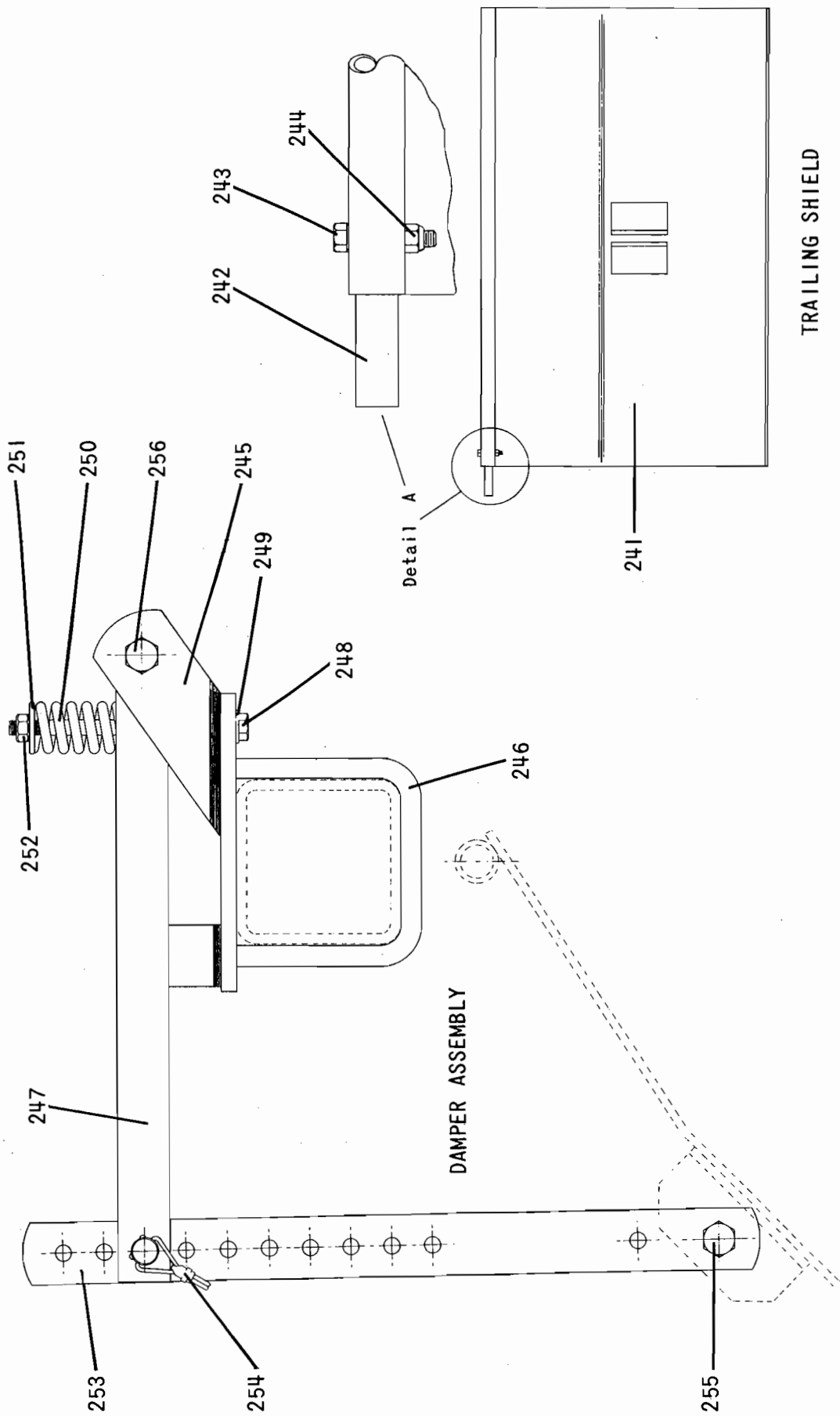
PARTS LIST E

ILL. NO.	PART NO.	DESCRIPTION	QTY.	ILL. NO.	PART NO.	DESCRIPTION	QTY.
200	602942	Chaincase Cover	2	210	101210145	Hex Hd. Bolt, 5/8" UNC x 1-3/4", Pl., Gr. 5	14
201	101206085	Hex Hd. Bolt, 3/8" UNC x 1", Pl., Gr. 5	40	108101645	Lock Washer, 5/8" Dia., Pl.	14	
	108061145	Lock Washer, 3/8" Dia., Pl.	40	107210355	Hex Nut, 5/8" UNC, Pl.	14	
202	602943	Gasket, Chaincase Cover	2	101208125	Hex Hd. Bolt, 1/2" UNC x 1-1/2", Pl., Gr. 5	8	
203	603087	Oil Level Plug, 3/4" NPT, Sight-Type	2	108081445	Lock Washer, 1/2" Dia., Pl.	8	
204	101212085	Hex Hd. Bolt, 3/4" UNC x 1", Pl., Gr. 5	2	107208355	Hex Nut, 1/2" UNC, Pl.	8	
	108122045	Lock Washer, 3/4" Dia., Pl.	2	603086	Chaincase Oil Fill Cap	2	
205	602950	Tube Cap (Large, Plastic)	2	603089	Chaincase Breather	2	
206	603085	Hex Hd. Bolt, 3/4" UNC x 6", Pl., Gr. 5, Full Thread	4	108122035	Lock Washer, 3/4" Dia., Internal Tooth Type, Pl.	2	
207	107212025	Hex Jam Nut, 3/4" UNC, Pl.	2	215 thru 240	Not Allocated		
208	602813	Trailing Shield End Hinge Pin	1				
209	101206105	Hex Hd. Bolt, 3/8" UNC x 1-1/4", Pl., Gr. 5	1				
	107206315	Hex Flange Locknut, 3/8" UNC, Pl.	1				

Quote part number and machine serial number when ordering parts.

TRAILING SHIELD & DAMPER

ILLUSTRATION F



TRAILING SHIELD & DAMPER

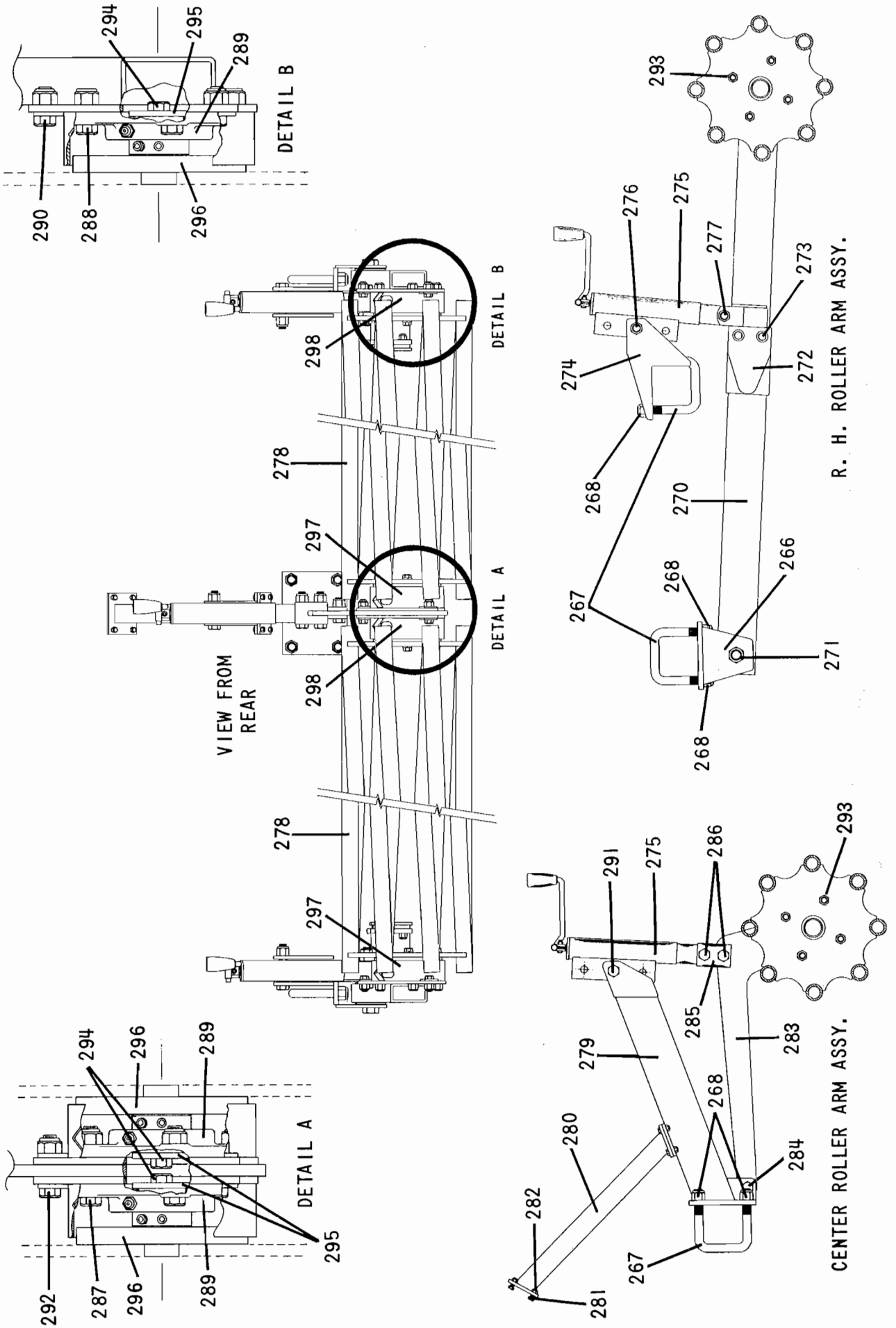
PARTS LIST F

ILL. NO.	PART NO.	DESCRIPTION	QTY.	ILL. NO.	PART NO.	DESCRIPTION	QTY.
241	602839	Trailing Shield 180" Model	4	254	18892	Snapper Pin	4
	603137	Trailing Shield 160" Model	4	255	101208125	Hex Hd. Bolt, 1/2" UNC x 1-1/2", Pl., Gr. 5	4
	603136	Trailing Shield 144" Model	4		107208175	Nyloc Hex Nut, 1/2" UNC, Pl.	4
242	602863	Hinge Pin	4		101208205	Hex Hd. Bolt, 1/2" UNC x 2-1/2", Pl., Gr. 5	4
243	150205145	Hex Hd. Bolt, 5/16" UNC x 1-3/4", Pl., Gr. 8	4		107208175	Nyloc Hex Nut, 1/2" UNC, Pl.	4
244	107205155	Hex Locknut, 5/16" UNC, Pl.	4			Not Allocated	4
245	602840	Damper Mount Plate	4				
246	600613	U-Bolt, Sq. Corner, 1/2" UNC, Pl., 4" x 5-1/4"	4				
	108081445	Lock Washer, 1/2" Dia., Med., Pl.	8				
	107208355	Hex Nut, 1/2" UNC, Pl.	8				
247	602864	Damper Arm	4				
248	101206445	Hex Hd. Bolt, 3/8" UNC x 5-1/2", Pl., Gr. 5	4				
249	108061215	Flat Washer, 3/8" Dia., Pl.	4				
250	600454	Damper Spring	4				
251	600455	Special Shouldered Washer	4				
252	107206155	Hex Locknut, 3/8" UNC, Pl.	4				
253	602865	Damper Adjusting Link	4				

Quote part number and machine serial number when ordering parts.

CRUMBLE ROLLER ASSEMBLY

ILLUSTRATION G



CRUMBLE ROLLER ASSEMBLY

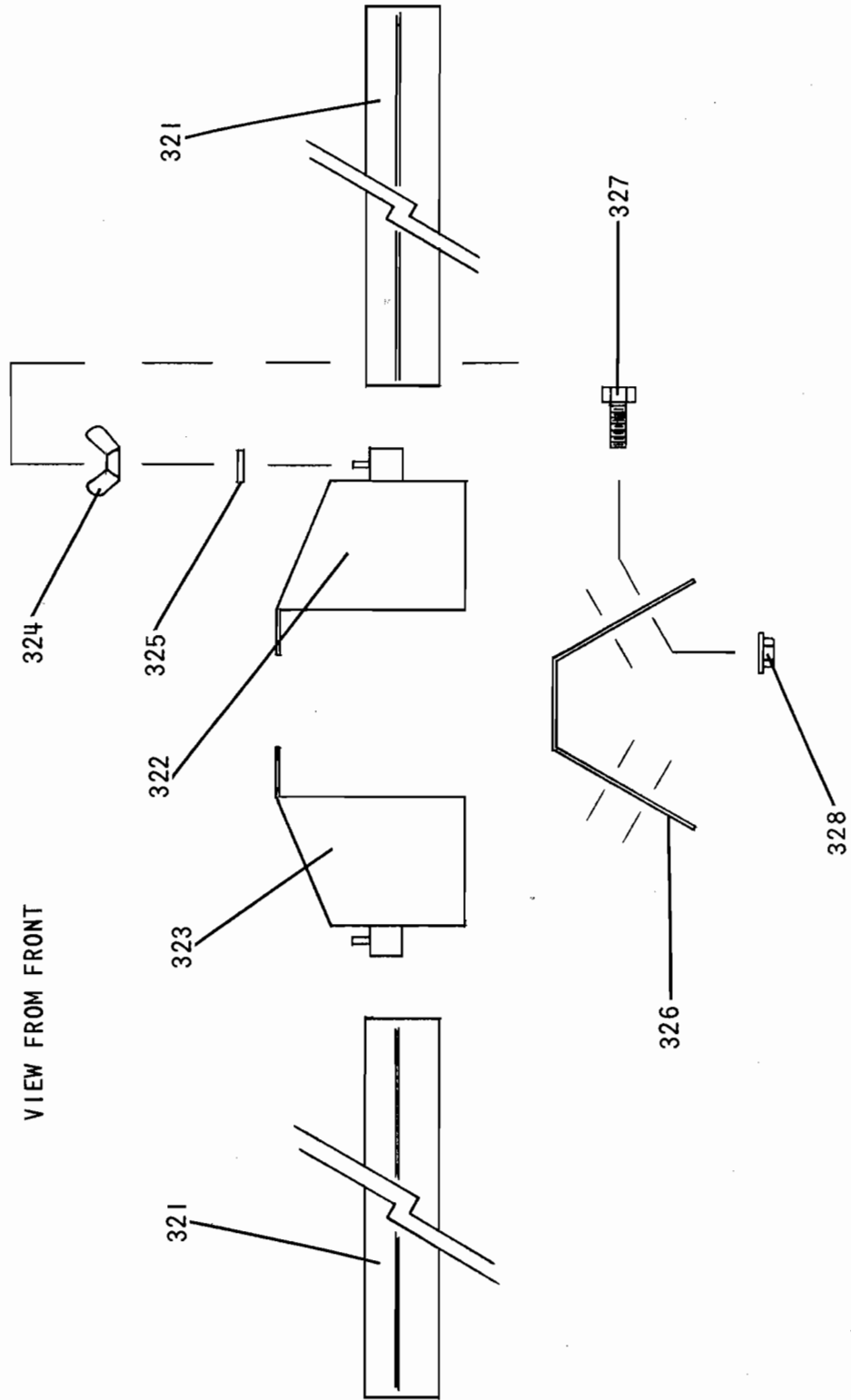
PARTS LIST G

ILL. NO.	PART NO.	DESCRIPTION	QTY.	ILL. NO.	PART NO.	DESCRIPTION	QTY.
266	602838	Pivot Lug	2	282	107206155	Hex Locknut, 3/8" UNC, Pl.	8
267	600052	U-Bolt, Sq. Corner, 7/8" UNC, Pl., 4" x 5-1/2"	6	283	602835	Center Roller Arm	1
268	107214175	Nyloc Hex Nut, 7/8" UNC, Pl.	12	284	101212185	Hex Hd. Bolt, 3/4" UNC x 2-1/4", Pl., Gr. 5	1
269	602832	Roller Arm, L.H.	1	285	107212175	Nyloc Hex Nut, 3/4" UNC, Pl.	1
270	602833	Roller Arm, R.H.	1	602984	Clevis	1	
271	101216365	Hex Hd. Bolt, 1" UNC x 4-1/2", Pl., Gr. 5	2	286	101212285	Hex Hd. Bolt, 3/4" UNC x 3-1/2", Pl., Gr. 5	2
272	107216175	Nyloc Hex Nut, 1" UNC, Pl.	2	287	107212175	Nyloc Hex Nut, 3/4" UNC, Pl.	2
273	602837	Roller Arm Shoe	2	101209245	Hex Hd. Bolt, 9/16" UNC x 3", Pl., Gr. 5	4	
274	101208125	Hex Hd. Bolt, 1/2" UNC x 1-1/2", Pl., Gr. 5	4	107209175	Nyloc Hex Nut, 9/16" UNC, Pl.	4	
275	107208175	Nyloc Hex Nut, 1/2" UNC, Pl.	4	101209145	Hex Hd. Bolt, 9/16" UNC x 1-3/4", Pl., Gr. 5	6	
276	602836	Jack Lug	2	107209175	Nyloc Hex Nut, 9/16" UNC, Pl.	6	
277	602986	Jack	2	602987	Roller Bearing (Flange Type, 2" Bore)	4	
278	101212365	Hex Hd. Bolt, 3/4" UNC x 4-1/2", Pl., Gr. 5	2	101209105	Hex Hd. Bolt, 9/16" UNC x 1-1/4", Pl., Gr. 5	6	
279	107212175	Nyloc Hex Nut, 3/4" UNC, Pl.	2	107209175	Nyloc Hex Nut, 9/16" UNC, Pl.	6	
280	101212325	Hex Hd. Bolt, 3/4" UNC x 4", Pl., Gr. 5	2	101212305	Hex Hd. Bolt, 3/4" UNC x 3-3/4", Pl., Gr. 5	1	
281	107212175	Nyloc Hex Nut, 3/4" UNC, Pl.	2	107212175	Nyloc Hex Nut, 3/4" UNC, Pl.	1	
282	602834	Crumble Roller 180" Model	2	101209185	Hex Hd. Bolt, 9/16" UNC x 2-1/4", Pl., Gr. 5	3	
283	603135	Crumble Roller 160" Model	2	107209175	Nyloc Hex Nut, 9/16" UNC, Pl.	3	
284	603134	Crumble Roller 144" Model	2	101209125	Hex Hd. Bolt, 9/16" UNC x 1-1/2", Pl., Gr. 5	16	
285	602831	Support Arm	1	108091545	Lock Washer, 9/16" Dia., Pl.	16	
286	602830	Brace	1	101209105	Hex Hd. Bolt, 9/16" UNC x 1-1/4", Pl., Gr. 5	4	
287	101206085	Hex Hd. Bolt, 3/8" UNC x 1", Pl., Gr. 5	8	603102	Axle Retainer	4	
				602845	Axle	4	
				602843	Roller Bearing Guard, L.H.	2	
				602844	Roller Bearing Guard, R.H.	2	
				299 thru 320	Not Allocated		

Quote part number and machine serial number when ordering parts.

SAFETY GUARDS

ILLUSTRATION H



SAFETY GUARDS

PARTS LIST H

ILL. NO.	PART NO.	DESCRIPTION	QTY.	ILL. NO.	PART NO.	DESCRIPTION	QTY.
321	602866	Jackshaft Cover 180" Model	2				
	603160	Jackshaft Cover 160" Model	2				
	603159	Jackshaft Cover 144" Model	2				
322	602811	Coupler Guard, L.H.	1				
323	602812	Coupler Guard, R.H.	1				
324	603079	Nyloc Wing Nut, 3/8" UNC	4				
325	108061215	Flat Washer, 3/8" Dia., Pl.	4				
326	602867	Clutch Guard	1				
327	101206105	Hex Hd. Bolt, 3/8" x 1-1/4", Pl., Gr. 5	4				
328	107206315	Hex Flange Locknut, 3/8" UNC, Pl.	4				
329	thru 340	Not Allocated					

Quote part number and machine serial number when ordering parts.

NUMERICAL PARTS LIST

NOTE: COMMON FASTENERS ARE NOT LISTED.

PART NO.	PAGE	ILL.	PART NO.	PAGE	ILL.	PART NO.	PAGE	ILL.	PART NO.	PAGE	ILL.	PART NO.	PAGE	ILL.
18892	15	254	602825	11	163	602892	9	124	603018	5	26	603053	7	54
600022	11	172	602826	11	164	602893	9	126	603019	5	27	603054	7	55
600049	11	173	602827	11	166	602894	9	102	603020	5	28	603055	7	56
600050	11	176	602828	11	167	602895	9	103	603021	5	30	603056	7	57
600052	11	171	602829	11	168	602897	9	119	603022	5	32	603057	7	58
	17	267	602830	17	280	602898	9	121	603024	5	34	603058	7	59
600097	11	175	602831	17	279	602899	9	132	603028	5	7	603059	7	60
600099	11	174	602832	17	269	602900	9	112	603029	5	7	603060	7	61
600204	3	None	602833	17	270	602901	9	125	603030	5	8	603061	7	62
600454	15	250	602834	17	278	602902	9	118	603031	5	9	603062	7	63
600455	15	251	602835	17	283	602942	13	200	603032	5	10	603063	7	64
600613	15	246	602836	17	274	602943	13	202	603033	5	11	603064	7	N.I.
601708	3	None	602837	17	272	602944	11	178	603034	5	12	603065	7	66
602804	7	51	602838	17	266	602945	11	184	603035	5	13	603066	7	66
	8	101	602839	15	241	602946	11	188	603036	5	14	603067	7	66
602807	5	1	602840	15	245	602947	11	181	603037	5	15	603068	7	67
602808	5	1	602842	9	133	602948	11	186	603038	5	16	603069	7	68
602810	11	170	602843	17	297	602949	11	177	603039	5	17	603070	7	68
602811	19	322	602844	17	298	602950	13	205	603040	5	18	603071	7	68
602812	19	323	602845	17	296	602984	17	285	603041	5	19	603072	7	69
602813	13	208	602863	15	242	602986	17	275	603042	5	20	603073	7	70
602814	9	109	602864	15	247	602987	17	289	603043	7	77	603074	7	72
602815	9	N.I.	602865	15	253	602997	5	3	603044	7	78	603075	7	73
602816	9	139	602866	19	321	602998	5	3	603045	7	79	603076	7	75
602817	9	N.I.	602867	19	326	602999	5	4	603046	7	80	603077	7	76
602818	9	127	602887	9	113	603014	5	6	603047	7	81	603079	9	111
602819	9	N.I.	602888	9	136	603015	5	23	603048	7	82	603080	9	104
602820	9	131	602889	9	108	603016	5	24	603049	7	83	603081	9	122
602821	11	161	602890	9	117	603017	5	25	603051	7	52	603082	9	123
602824	11	162	602891	9	107				603052	7	53	603083	9	134

N.I. - Not Illustrated